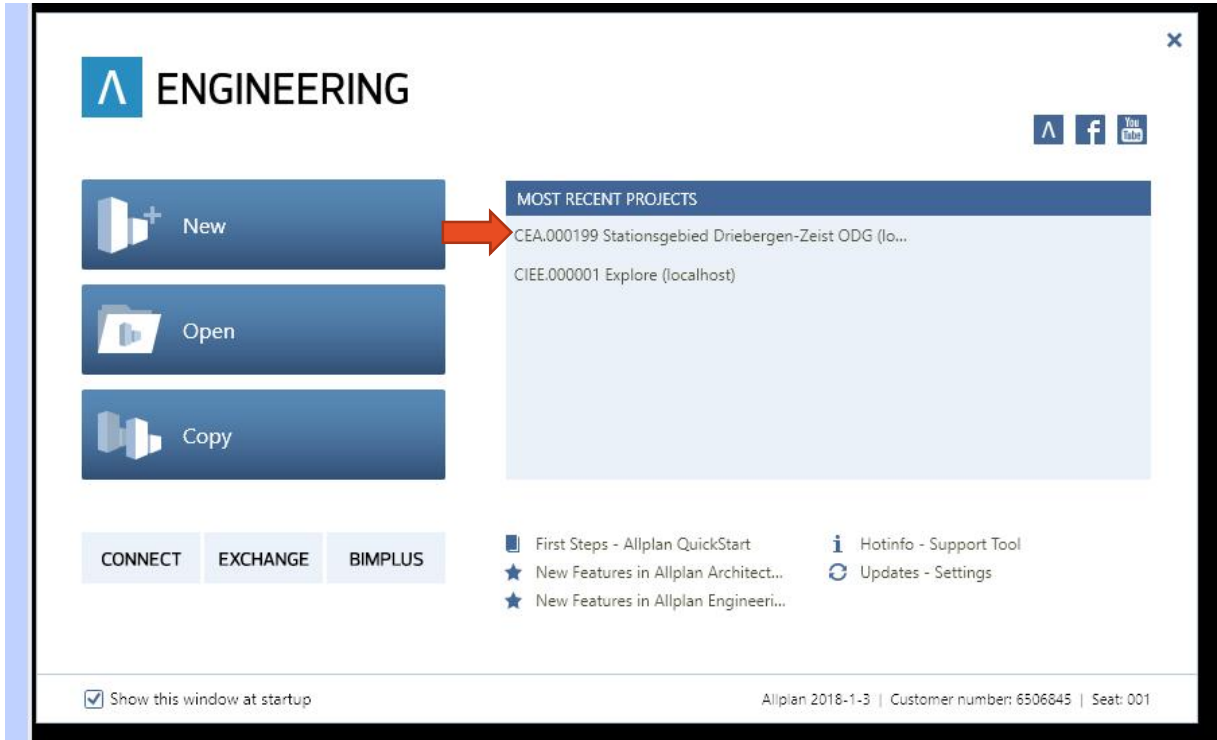
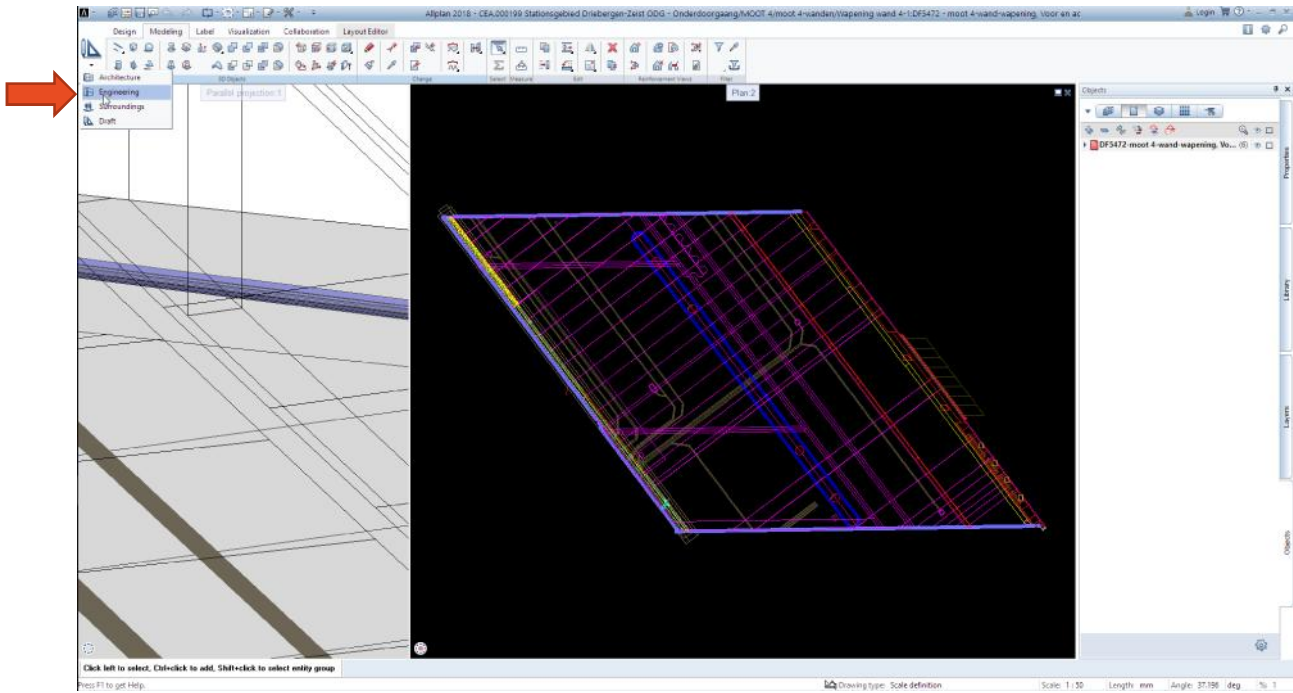


Allplan 2018 – Eko Yusroni

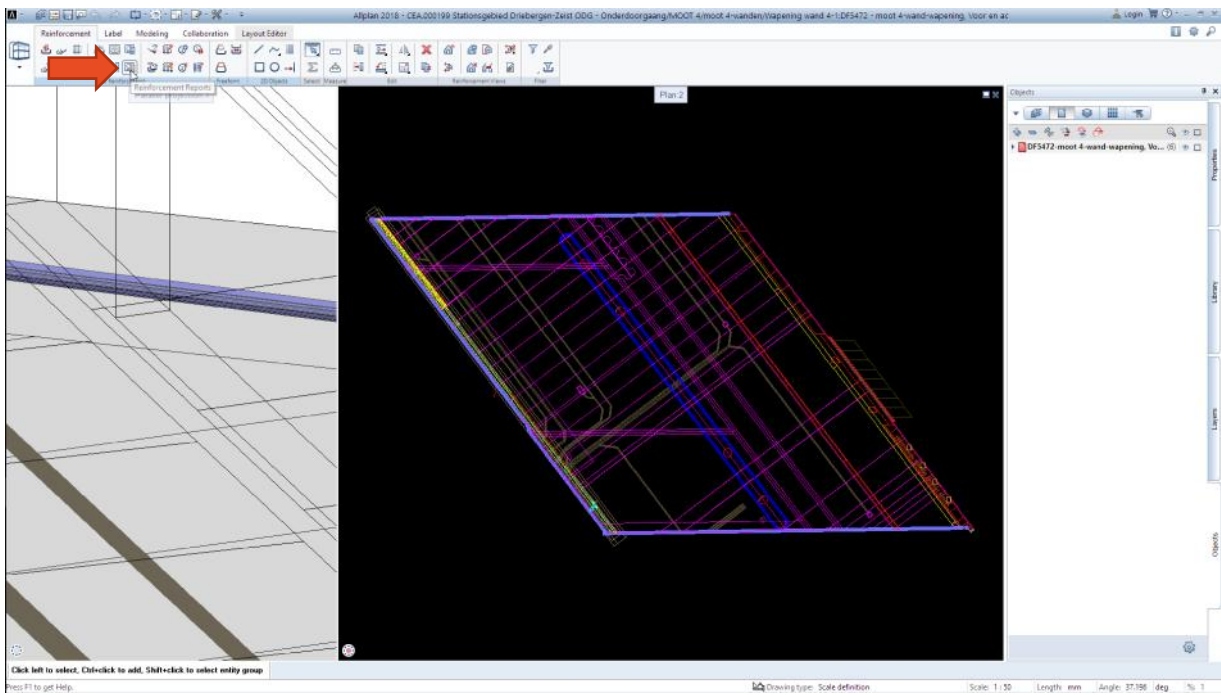
1. Login using Eko Yusroni account, Open Project: as shown on Pictures



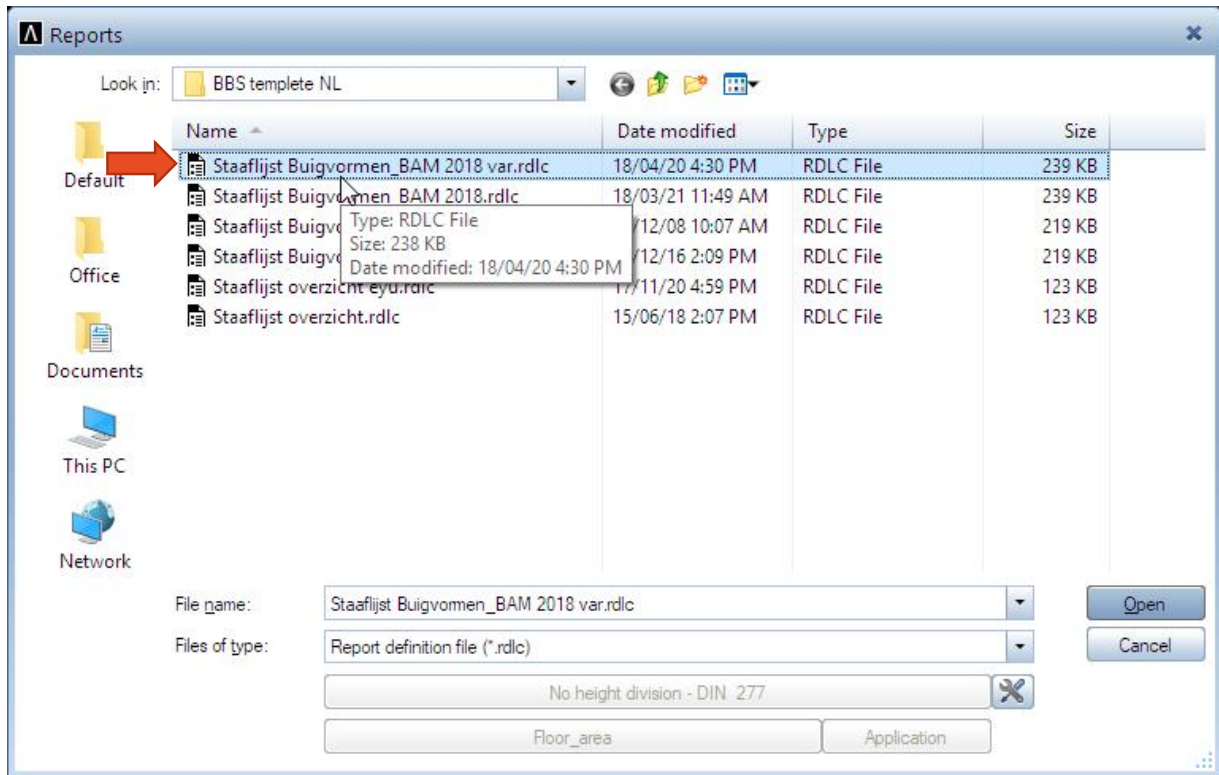
2. Click on Engineering



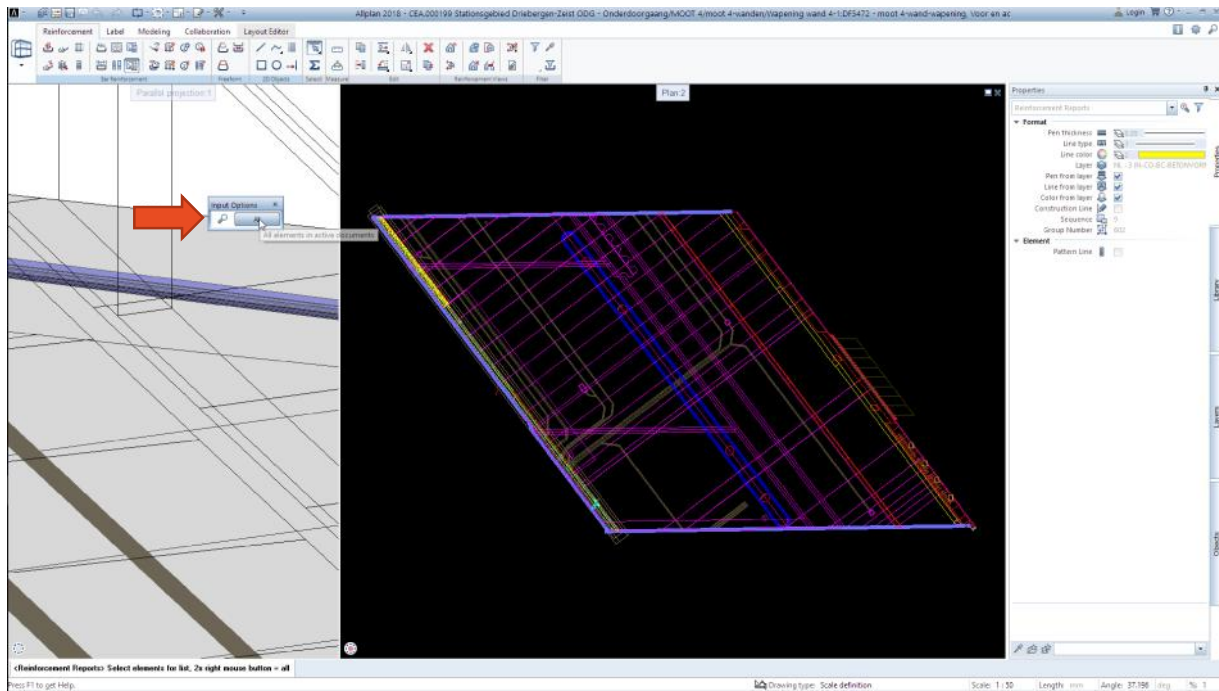
3. Click on Reinforcement Reports



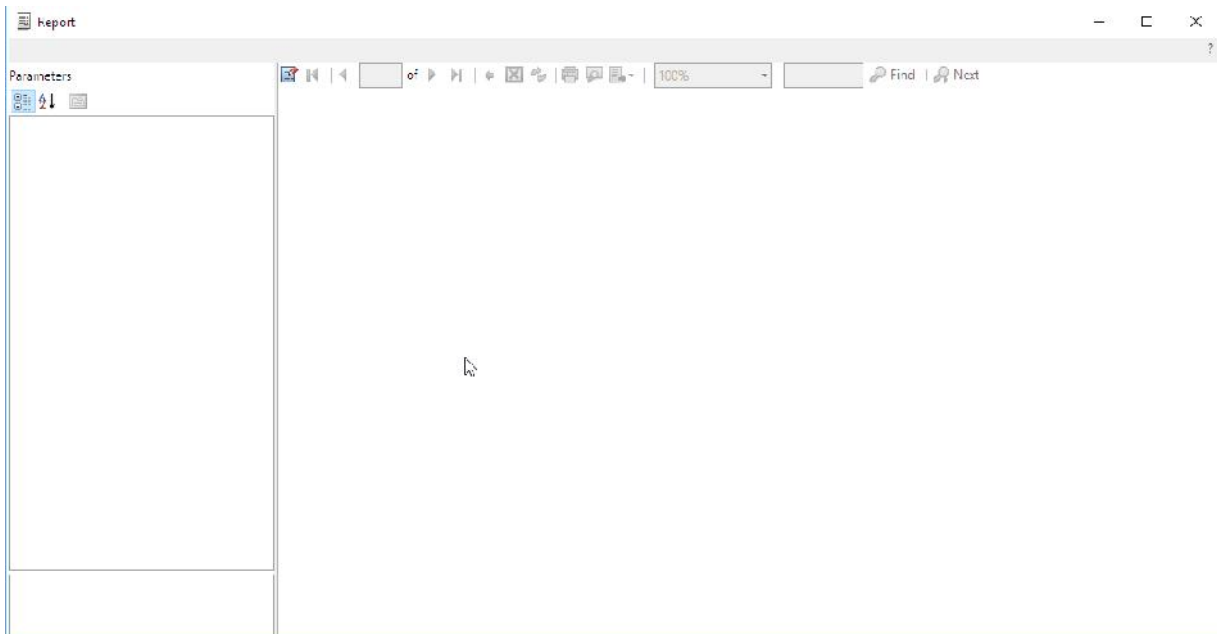
4. Choose the Report from : **M:\WORKPLACE\EYU\Shared\01 Config\Allplan\Allplan template\BBS templete NL**



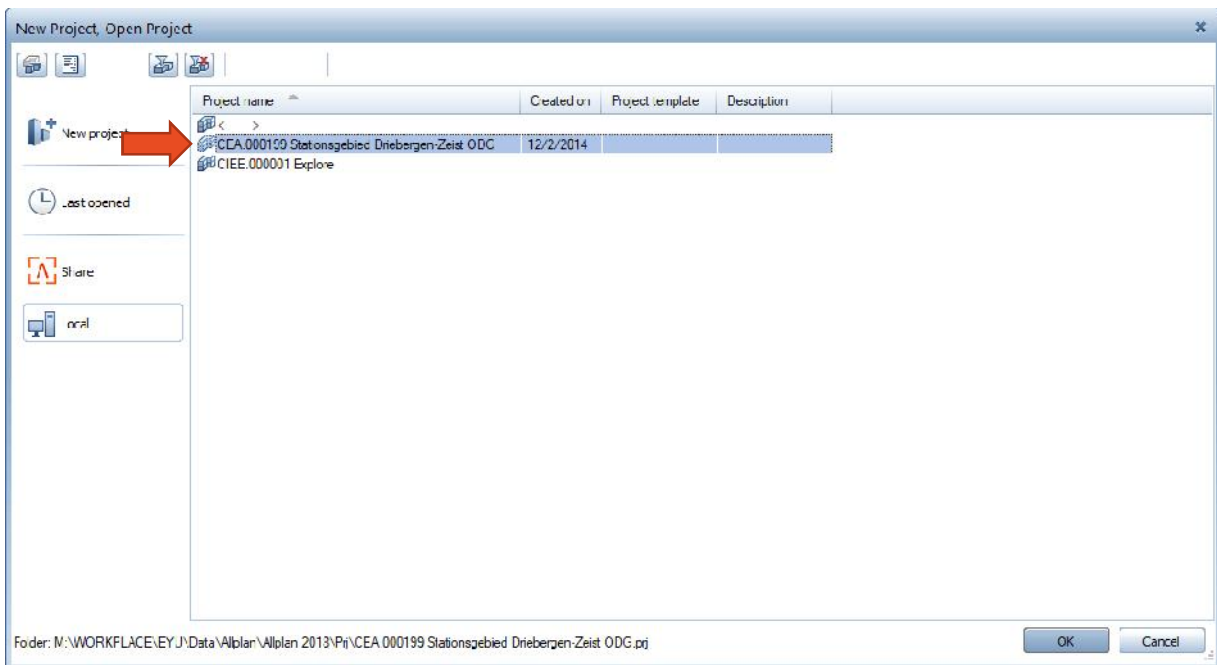
5. Click All on Input Options



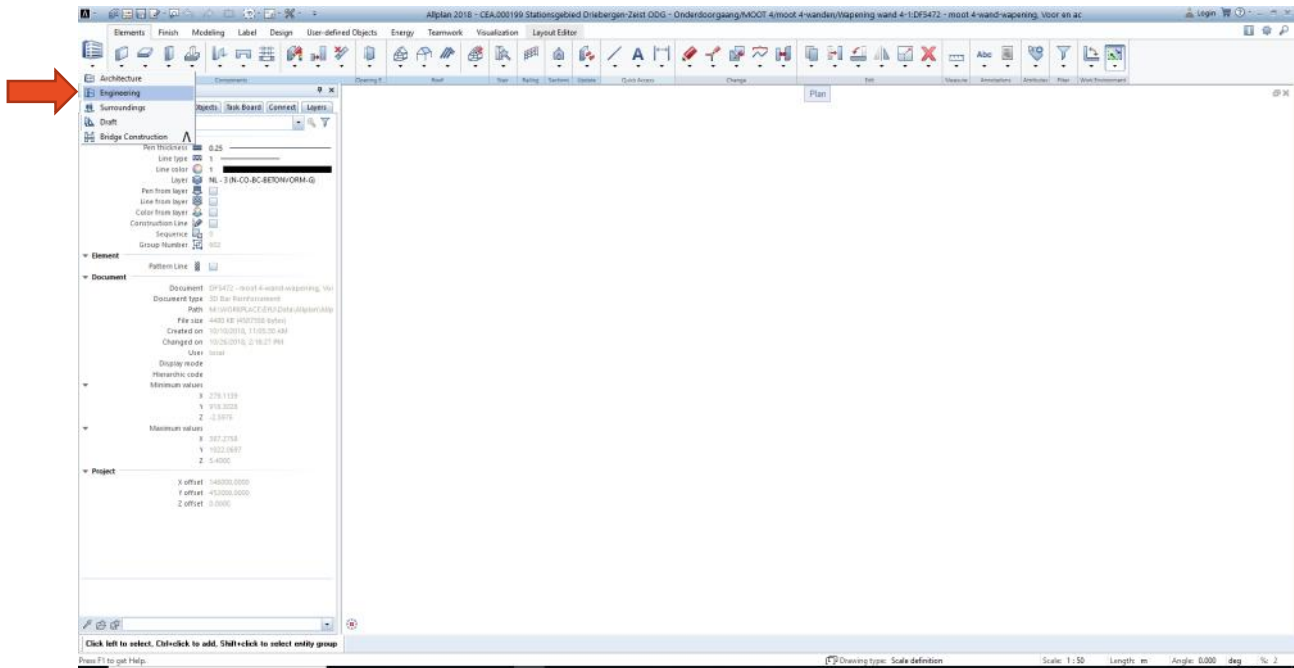
6. Report show nothing “Blank”



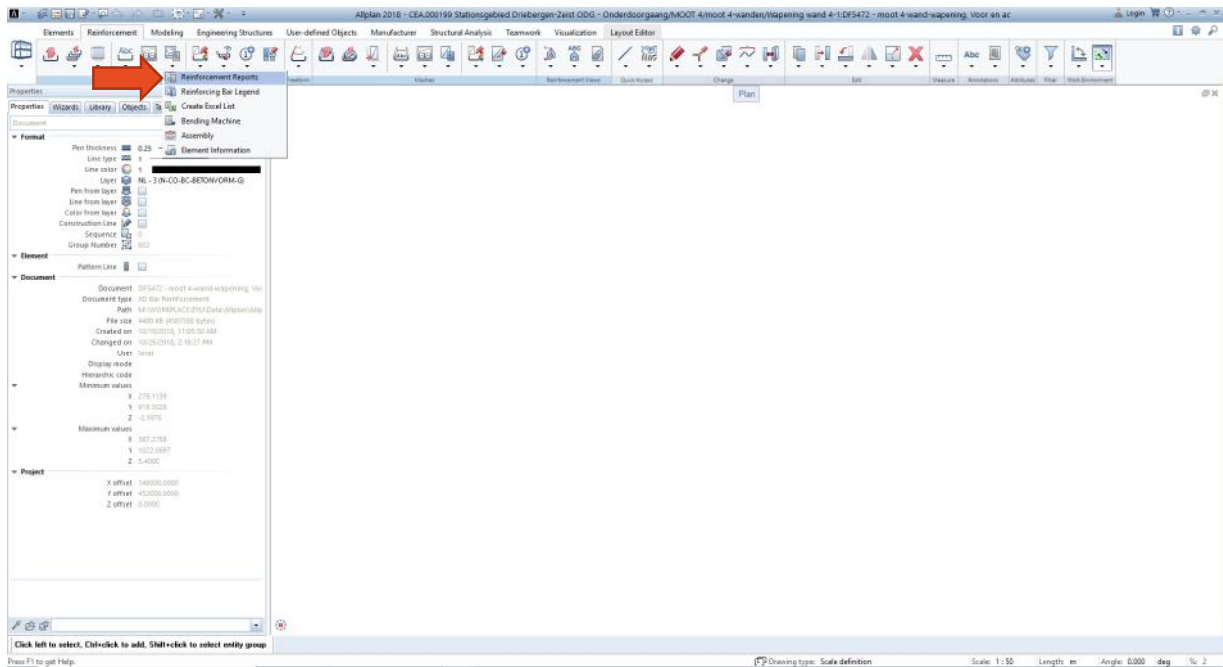
7. Login using Jogi Aloewie account, open Projects as shown on Pictures



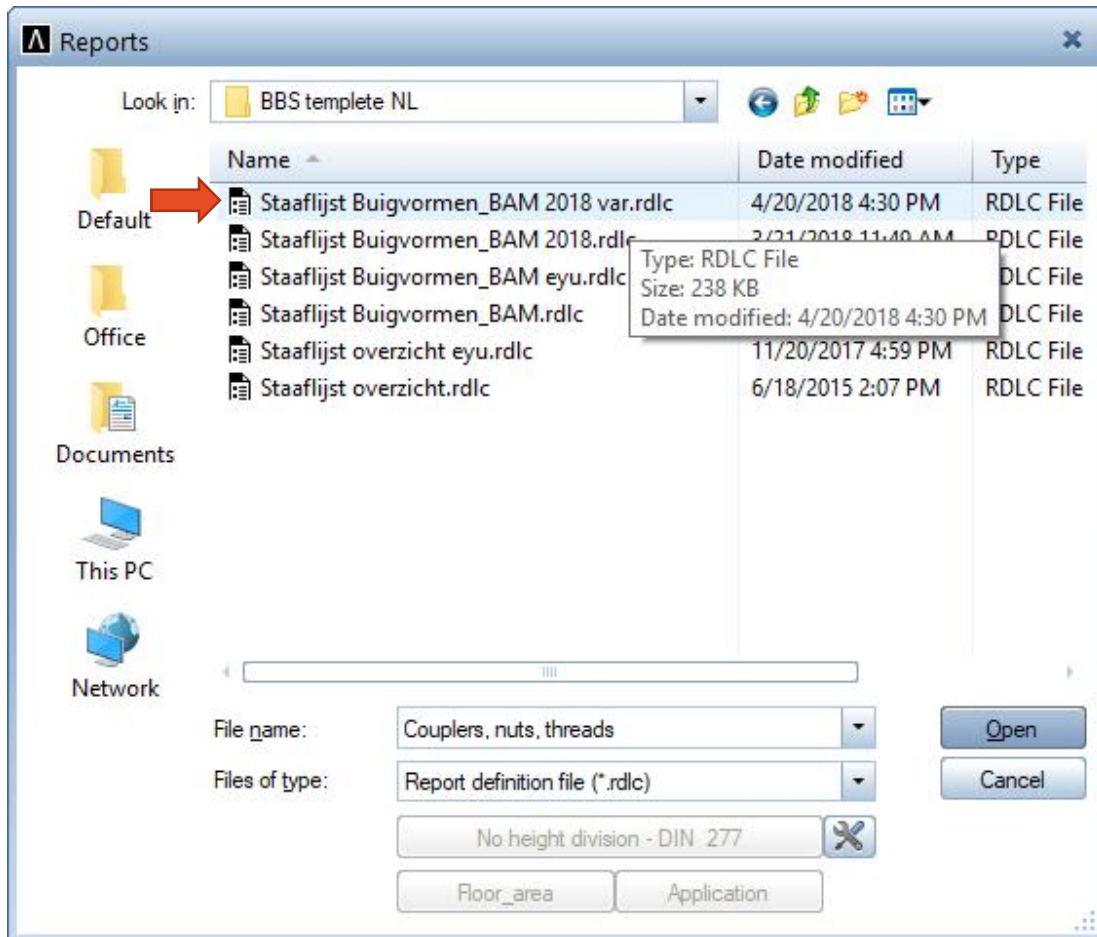
8. Click on Engineering



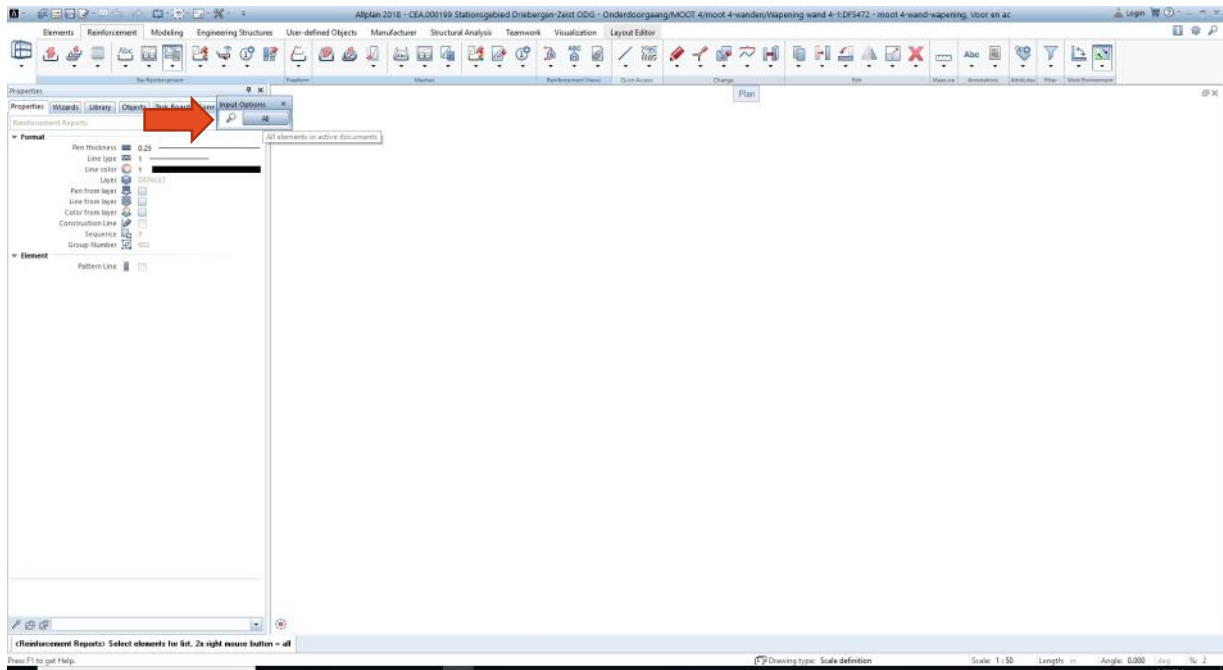
9. Click on Reinforcement Reports



10. Choose the Report from : *M:\WORKPLACE\EYU\Shared\01 Config\Allplan\Allplan template\BBS templete NL*



11. Click All on Input Options



12. Report Showing as shown on Pictures

Report

Parameters

Allplan System Parameters

Company address
 Company logo C:\ProgramData\Nemetsc
 Company name
 Date 10/26/2018
 Edited by jogi.aloewie
 Email
 Layout
 Project name CEA.000199 Stationsgebied
 Telephone Nun
 Time 14:24

User Interaction

Note
 Number of cop 1
 PageNo 1
 Show graphics
 Show logo
 Show steel grac
 Show summary

Company address
 @411@

1 of 3 100%

ALLEEN TER INFORMATIE

Staaflijst - samenvatting
Staaflijst - Buigvormen (Uitrekstaat wapening is indicatief. Buigstaat door vlechter op te stellen)

Project: CEA.000199 Stationsgebied Driebergen-Zeist ODG
 Op tekening:
 Bewerkt door: jogi.aloewie
 Datum: 26/10/2018
 Opmerking:

Samenvatting van de staaflijst B500 B

| | Diameter [mm] | [kg / m] | Totale lengte [m] |
|-----------------------|---------------|----------|-------------------|
| rechte staven | | | |
| | 12 | 0.888 | 873.83 |
| | 16 | 1.578 | 1267.55 |
| | Som | | |
| gebogen staven | | | |
| | 12 | 0.888 | 168.01 |
| | 16 | 1.578 | 34.47 |
| | Som | | |